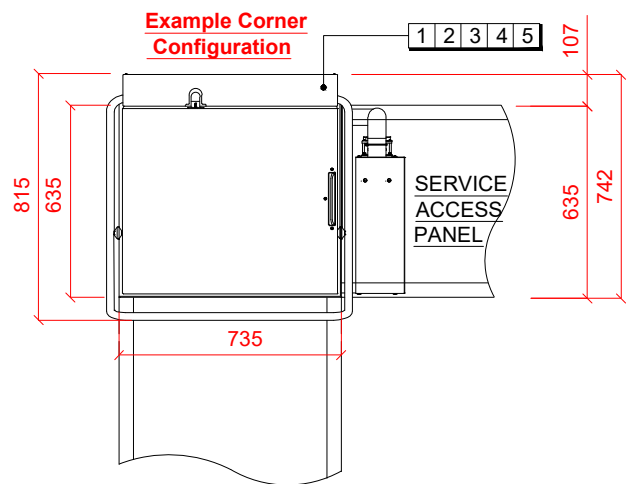
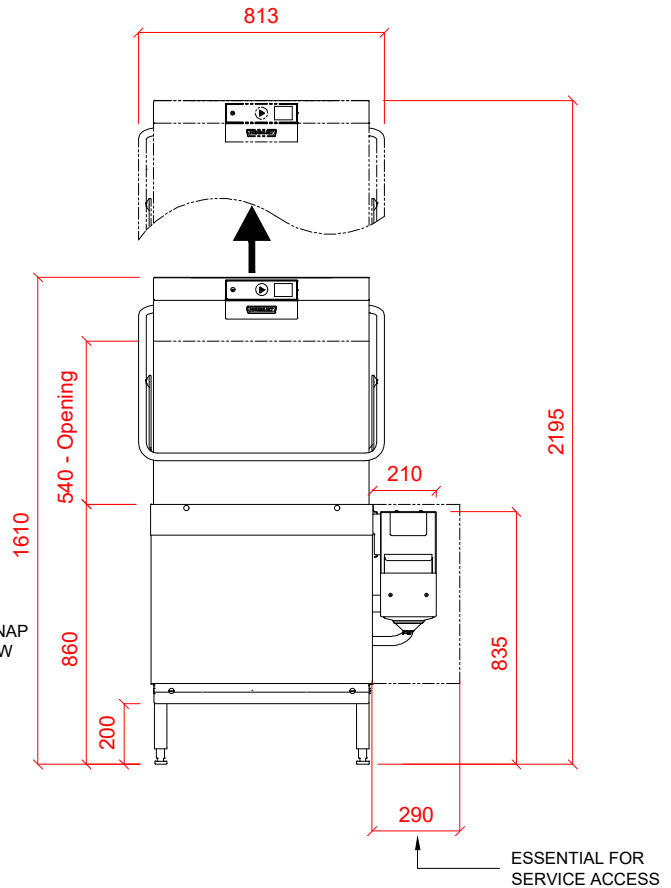


LEFT OR RIGHT SIDE SNAP OUT SECTION TO ALLOW SERVICES ROUTING



**1 Water**

22mm CONNECTION VIA 2 METRE FLEXIBLE HOSE, FEMALE TERMINATION.  
COLD WATER SUPPLY 10°C @ 0.8 TO 10 BAR MAX.  
**OR**  
HOT WATER SUPPLY 60°C @ 0.8 TO 10 BAR MAX.  
INITIAL TANK FILL 40 LITRES.  
RINSE WATER USAGE (ECO) 1.4 LITRES PER CYCLE.  
RINSE WATER USAGE 2.0 LITRES PER CYCLE. MAX USAGE 140 LITRES PER HOUR.  
OUR MACHINES ARE SUPPLIED WITH CLASS 'AB' AIR GAP AS STANDARD.

**2 Drain**

DRAIN - 2 METER FLEXIBLE HOSE TO A 40mm TRAPPED STANDPIPE UP TO 750mm MAX A.F.F.L.  
  
FLOW RATE 30 LITRES PER MINUTE.  
DRAIN RATE TYPICALLY 3 MINUTES.

**3 Electric**

17.0kW 400/50/3 + N + E FUSED AT 35amps / PHASE.  
**CONFIGURABLE TO:**  
10.8kW 400/50/3 + N + E FUSED AT 25amps/ PHASE.  
8.3kW 400/50/3 + N + E FUSED AT 16amps/ PHASE.  
SUPPLIED WITH 2.5 METRES OF CABLE.

**4 Other Services**

RINSE AGENT HOSE - 2.5 METRE FLEXIBLE.  
DETERGENT HOSE - 2.5 METRE FLEXIBLE.

**Notes**

Approx Weights: EMPTY: 130kg WITH WATER: 150kg  
Min distance to Wall to Inside of tabling boxed edge 154.5mm.  
**HEIGHTS MARKED \* REPRESENT ±20mm.**  
AUTOMATIC SOIL REMOVAL UNIT CAN BE POSITIONED ON EITHER SIDE OF MACHINE.