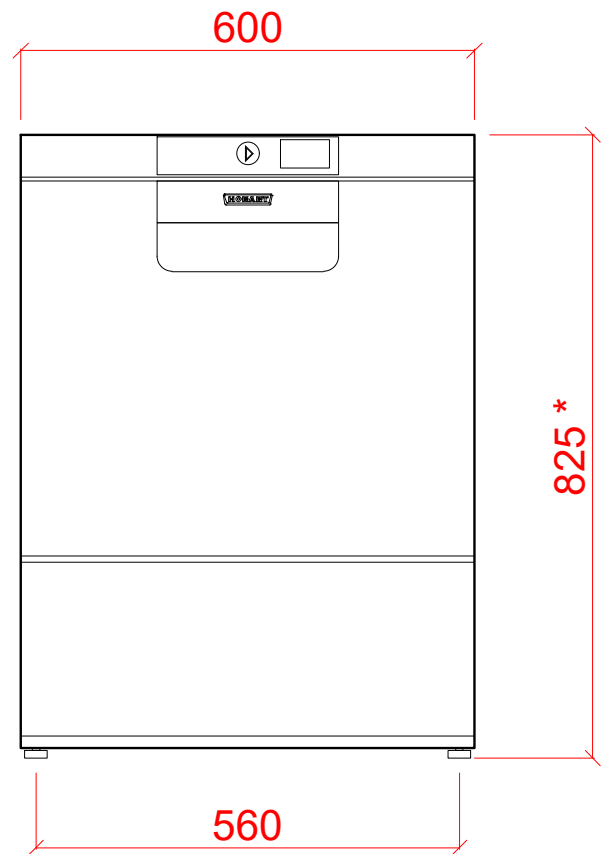
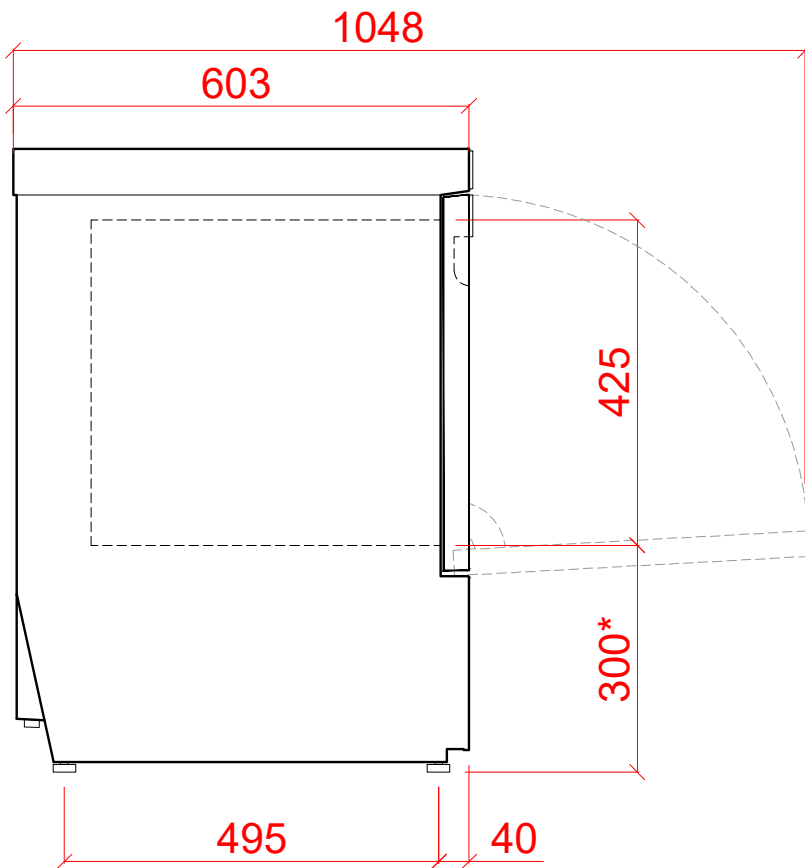
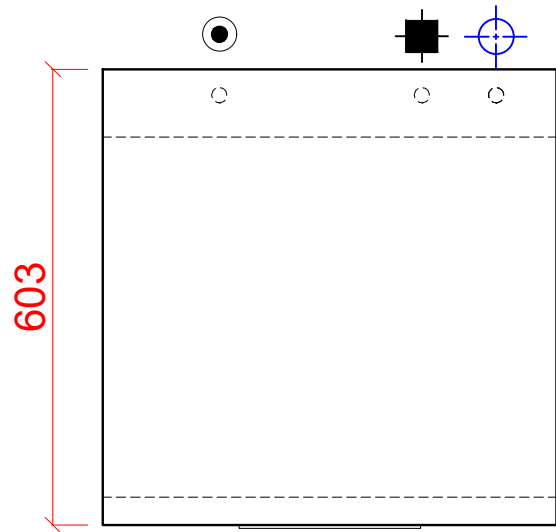


UNDERCOUNTER GLASSWASHERS
Profi - GX Series



Undercounter Glasswasher with in-built Softener

GXS-10C



<p>Water</p> <p>22mm CONNECTION VIA 2 METRE FLEXIBLE HOSE, FEMALE TERMINATION.</p> <p>WATER SUPPLY 10 TO 60°C (0° TO 3° CLARK MAX) @ 0.5 TO 6.0 BAR MAX. INITIAL TANK FILL 10.8 LITRES.</p> <p>RINSE WATER USAGE 1.8 LITRES PER CYCLE. MAX USAGE 108 LITRES PER HOUR.</p> <p>OUR MACHINES ARE SUPPLIED WITH CLASS 'AB' AIR GAP AS STANDARD.</p>	<p>Drain</p> <p>DRAIN - 2 METRE FLEXIBLE HOSE TO A 40mm TRAPPED STANDPIPE 600mm MAX A.F.F.L.</p> <p>FLOW RATE 30 LITRES PER MINUTE.</p> <p>Other Services</p> <p>RINSE AGENT HOSE - 2.5 METRE FLEXIBLE. DETERGENT HOSE - 2.5 METRE FLEXIBLE.</p>	<p>Electric</p> <p>6.7kW 400/50/3 + N + E FUSED AT 3 x 25amps MACHINE SUPPLIED WITH 2.5 METERS OF CABLE (3 PHASE).</p> <p>CONFIGURABLE TO:</p> <p>4.7kW 230/50/1 FUSED AT 25amps OR</p> <p>3.7kW 230/50/1 FUSED AT 20amps (25) OR</p> <p>2.6kW 230/50/1 FUSED AT 13amps (25)</p> <p>Notes</p> <p>APPROX WEIGHTS: EMPTY: 65kg's WITH WATER: 87kg's Height * +40mm -0mm</p>
--	--	--

PLOT SCALE: 1:10

RIGHT TO MAKE NECESSARY CHANGES IS RESERVED